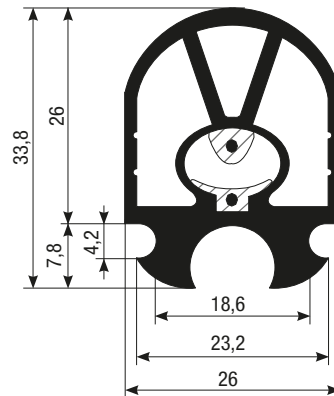
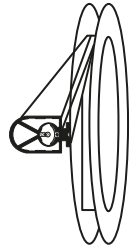


SENSITIVE EDGE TYPE "B2C"



Roll of 25 m



"DO-IT-YOURSELF" VERSION

Please order the single components according to the following this pattern:

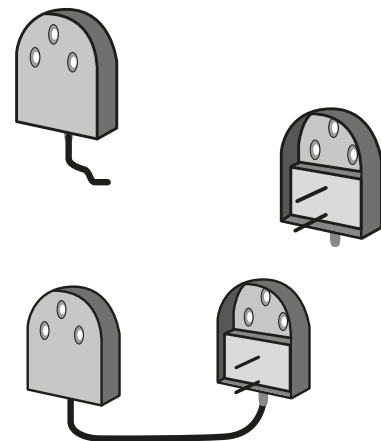
- 1 Pack of **profile B2C** (standard roll of 25 m)
- 1 **kit end cap/needle connectors** type KC2 (1 end cap/connector with electric cable type KC2C + 1 end cap/connector with resistance type KC2R)
- 1 **aluminium support** with unit of measure expressed in linear meters (type SAC29 – SAL29 – SAI29 for edge fastening)
- 1 **Primer** bottle (10ml) code PRR
- 1 **Sealant** bottle (10ml) code CY

CONNECTORS

KC2C | End cap/connector with cable | Length 3 m

KC2R | End cap/connector with resistance | Pack of 2 pcs.

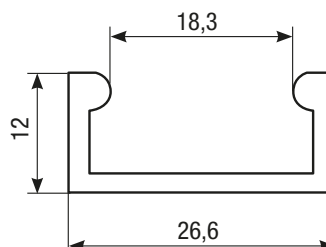
Double end cap/connector with cable | Length 0.4 meters



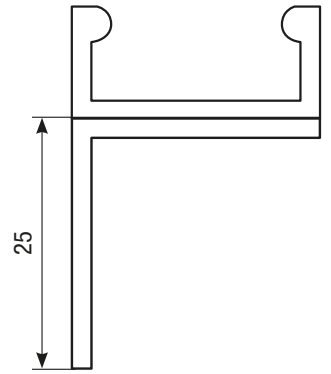
ALUMINIUM SUPPORT FOR EDGE FASTENING

The edge fastening is realised by installing the edge on a suitable aluminium support. Three types of supports are available.

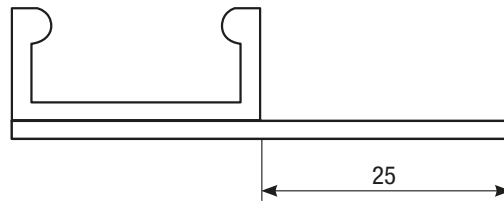
Type "SAC29" | "C"-shaped profile | for edges type B2C



Type "SAL29" | "L"-shaped profile | for edges type B2C

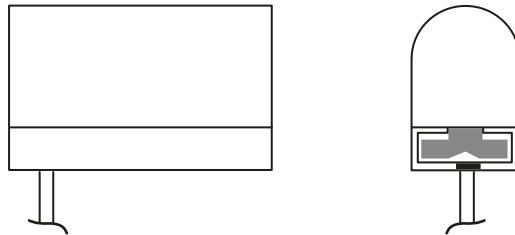


Type "SAI29" | "I"-shaped profile for edges type B2C

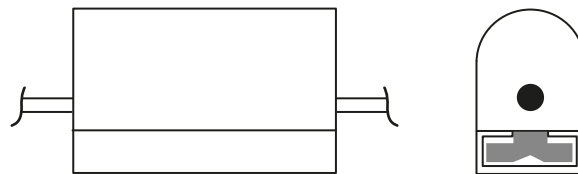


SUPPLY CABLE OUTLET

"UI" | Bottom side outlet

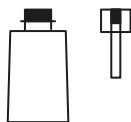


"CCCC" | Double outlet



SEALANTS FOR "DO-IT-YOURSELF" EDGES

"GSBPR" | Primer bottle (10ml) type PR



"GSBCY" | Sealant bottle (10ml) type CY



HOW TO ORDER AN EDGE TYPE "B2C" (ASSEMBLED)

Code

